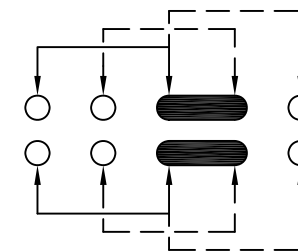
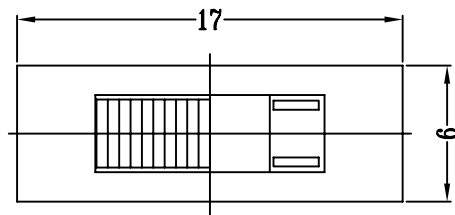
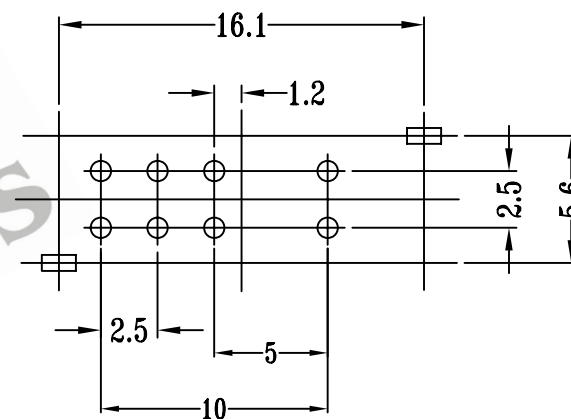
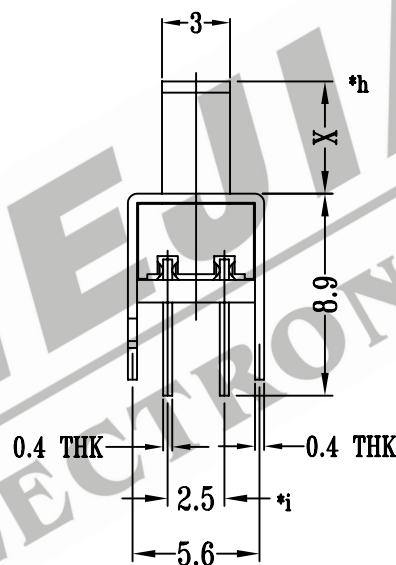
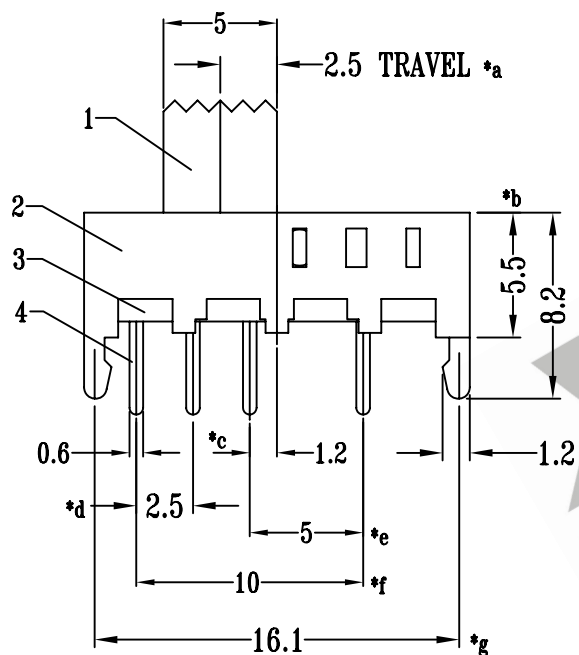


CAD FILE:



SCHEMATIC (SHORTING)



P.C.B LAYOUT

注:带"\*"表示关键尺寸(9个)

					TOLERANCE UNLESS SPECIFIED		SHENZHEN XIEJIA ELECTRONICS CO.,LTD.				
					WITHIN: 1.5±0.1mm		ISSUE	DATE	DESCRIPTIONS		APPD.
					OVER : 1.5±0.2mm				TITLE : VERTICAL SLIDE SWITCH		
8									DRWG NO.: XJ-DR-SS23E05-00		
7	STEEL BALL	STEEL	2	NATURAL					DWN.	ZHOUYU	2003-7-12
6	SPRING	STEEL WIRE	1	TEMPER					CHK'D	FANGYING	2003-7-12
5	CONTACT CLIP	PBS	2	Ag CLAD					APPD.	KANGXINAN	2003-7-12
4	TERMINAL	BRASS STRIP	8	Ag PLATED OVER Ni PLATED	TITLE : VERTICAL SLIDE SWITCH		UNIT : MM		DRWG NO.: XJ-DR-SS23E05-00		
3	BASE	PHENOLIC RESIN	1	NATURAL	MODEL: SS-23E05		SCALE: 3:1				
2	FRAME	STEEL STRIP	1	Ni PLATED	ALL MATERIALS MUST BE COMPLIANT TO ROHS						
1	KNOB	POM	1	BLACK							
NO.	PART NAME	MATERIAL	Q'TY	FINISHING							